

Ordering made simple:

Account

For trade customers, contact our sales office on 01254 776343 to enquire about opening an account.

Credit Card

We are able to accept most credit cards. No surcharge is made for this service.

Pro-forma

For those customers without an account, a pro-forma invoice can be raised.

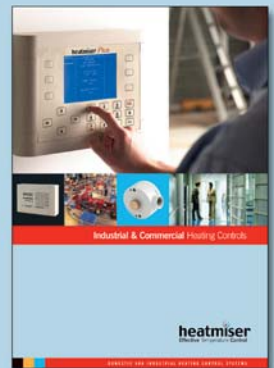
Delivery

We aim to despatch all orders received by 2:00pm the same day for delivery the next working day.



Reflecting our policy of continued research and development, we reserve the right to modify the specification of our products at any time without prior notice.

Contact us for a copy of our current industrial brochure.



Heatmiser UK Ltd
Primrose House, Primrose Street
Darwen, Lancashire BB3 2DE
Tel: 01254 776343
Fax: 01254 704143
Web: www.heatmiser.co.uk

Designed and produced by cam - 01254 777752



Stylish **thermostats** for modern living

heatmiser
Effective Temperature Control

DOMESTIC AND INDUSTRIAL HEATING CONTROL SYSTEMS

Heatmiser features at a glance

Mains Thermostat Table of Features			
Features	DT	PRT	PRT/HW
Range	05 - 35 °C 05 - 95 °F	05 - 35 °C 05 - 95 °F	05 - 35 °C
Accuracy	+/- 1 °C	+/- 1 °C	+/- 1 °C
Optimisation	No	Yes	Yes
No of Heating Levels	0	4	4
No of HW Switching Times	0	0	4
Keypad Lock	Yes	Yes	Yes
Adjustable Switching Differential	Yes	Yes	Yes
Communication Facility	No	No	No
°C / °F Option	Yes	Yes	Yes
Frost Mode	07 - 17 °C	07 - 17 °C	Fixed 05 °C
Adjustable Output Delay	00 - 30 min	00 - 30 min	Yes
Back - Lit Display	Yes	Yes	Yes
Remote Control Option	Yes	Yes	Yes
Manual Override	Yes	Yes	Yes
Memory Backup	Yes	Yes	Yes
Changeover Option	Yes	Yes	No
Max Switching Current	3A	3A	3A
Supply Options	230v AC	230v AC	230v AC
Dimensions (mm) (Height x Length x Depth)	98 x 85 x 13	98 x 85 x 13	98 x 85 x 13
Weight	195g	195g	195g

Low Voltage Thermostat Table of Features					
Features	DT-N	PRT-N	PRT/HW-N	PRT-EN	
				Floor Mode	Floor & Air Mode
Range	05 - 35 °C 41 - 95 °F	5 - 35 °C 41 - 95 °F	5 - 35 °C 41 - 95 °F	05 - 70 °C 41 - 95 °F	Air - 05 - 70 °C 41 - 95 °F Floor - 5 - 70 °C 41 - 95 °F
Accuracy	+/- 1 °C	+/- 1 °C	+/- 1 °C	+/- 1 °C	+/- 1 °C
Optimisation	No	Yes	Yes	Yes	Yes
Built In Air Sensor	Yes	Yes	Yes	No	Yes
Remote Floor Sensor	No	No	No	Yes	Yes
No of Heating Levels	0	4	4	4	4
No of HW Switching Times	0	0	4	0	0
Keypad Lock	Yes	Yes	Yes	Yes	Yes
Adjustable Switching Differential	Yes	Yes	Yes	Yes	Yes
Communication Facility	Yes	Yes	Yes	Yes	Yes
°C / °F Option	Yes	Yes	Yes	Yes	Yes
Frost Mode	07 - 17 °C	07 - 17 °C	Fixed 05 °C	07 - 17 °C	07 - 17 °C
Adjustable Output Delay	00 - 30 min	00 - 30 min	Yes	00 - 30 min	00 - 30 min
Back - Lit Display	Yes	Yes	Yes	Yes	Yes
Remote Control Option	Yes	Yes	Yes	Yes	Yes
Manual Override	Yes	Yes	Yes	Yes	Yes
Memory Backup	Yes	Yes	Yes	Yes	Yes
Changeover Option	No	No	No	Yes	Yes
Max Switching Current	3A	3A	3A	3A	3A
Supply Options	12v DC	12v DC	12v DC	12v DC	12v DC
Dimensions (mm) (Height x Length x Depth)	98 x 85 x 13	98 x 85 x 13	98 x 85 x 13	98 x 85 x 13	98 x 85 x 13
Weight	140g	140g	140g	195g	195g



Heatmiser features at a glance

Electric Underfloor Heating Thermostat Table of Features

Features	PRT-E (Floor only Mode)	PRT-E (Air & Floor Mode)
Range	05 - 70°C 41 - 95°F	Air - 05 - 70°C 41 - 95°F Floor - 05 - 70°C 41 - 95°F
Accuracy	+/- 1°C	+/- 1°C
Optimisation	Yes	Yes
Built In Air Sensor	No	Yes
Remote Floor Sensor	Yes	Yes
No of Heating Levels	4	4
Keypad Lock	Yes	Yes
Adjustable Switching Differential	Yes	Yes
°C / °F Option	Yes	Yes
Frost Mode	07 - 17°C	07 - 17°C
Adjustable Output Delay	00 - 30 min	00 - 30 min
Back - Lit Display	Yes	Yes
Remote Control Option	Yes	Yes
Manual Override	Yes	Yes
Memory Backup	Yes	Yes
Changeover Option	No	No
Max Switching Current	13A	13A
Supply Options	230v AC	230v AC
Dimensions (mm) (Height x Length x Depth)	98 x 85 x 13	98 x 85 x 13
Weight	195g	195g

Fan Coil Thermostat Table of Features

Features	HC	HC-N
Range	05 - 35°C 41 - 95°F	05 - 35°C 41 - 95°F
Accuracy	+/- 1°C	+/- 1°C
Optimisation	Yes	Yes
Built In Air Sensor	Yes	Yes
No of Switching Times	4	4
Heating Output	Yes	Yes
Cooling Output	Yes	Yes
Auto Heat / Cool Mode	Yes	Yes
3 Speed Fan Control	Yes	Yes
Auto / Manual Fan Control	Yes	Yes
Keypad Lock	Yes	Yes
Adjustable Switching Differential	Yes	Yes
°C / °F Option	Yes	Yes
Frost Mode	07 - 17°C	07 - 17°C
Adjustable Output Delay	00 - 30 min	00 - 30 min
Back - Lit Display	Yes	Yes
Remote Control Option	Yes	Yes
Communication Facility	No	Yes
Manual Override	Yes	Yes
Memory Backup	Yes	Yes
Max Switching Current	3A	3A
Supply Options	110v / 230v AC	12v DC
Dimensions (mm) (Height x Length x Depth)	98 x 85 x 13	98 x 85 x 13
Weight	195g	140g





Mains Thermostats

Our range of mains thermostats are "standard" products enabling the replacement of existing thermostats. These products can be used in conjunction with the UH2, our mains voltage central wiring switch box. (See page 9 for details).

Slimline Design - Heatmiser thermostats are designed to be neat and tidy. Their flush mount design means the depth is only 13mm after installation.

Mains Powered - Greater convenience, no batteries required.

Optimum Start - On selected models, the thermostat will adjust the starting time according to the air temperature, aiming to heat the building to the required temperature by the desired time.

Memory Backup - Keep your data on power failure with our thermostat "flash" memory.

Remote Control Option - On selected models, you are able to control your thermostat by remote control.

Override Facility - Quickly and easily adjust your programmed settings.

heatmiser DT

The DT is our digital room thermostat, ideal for conventional or combi boiler systems.

- 3A volt free contacts
- 05-35°C room temperature

heatmiser PRT

The PRT is our 5/2 day digital thermostat and programmer in-one. Providing up to 4 different temperatures at different times of the day.

- Optimum Start
- 3A volt free contacts
- 05-35°C temperature range

heatmiser PRT/HW

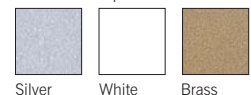
The PRT/HW is our 5/2 day programmable thermostat with an additional 5/2 program for the domestic hot water cylinder. Reduced costs and wiring means the PRT/HW really is an all-in-one solution.

- Optimum Start
- 3A volt free contacts
- 05-35°C temperature range

Changeover terminal option available for the Heatmiser DT and PRT.



Available in 3 plastic finishes:



Silver White Brass

Combination Electric Underfloor Heating Thermostat



With comfort being a priority our electric underfloor heating thermostat offers complete control of your underfloor heating system. Two modes are available in the PRT-E which are selectable in software. This combination model is capable of switching up to 10A.

High Amperage Rating - Capable of switching up to 10A, making these products ideal for Electric Underfloor Heating.

Floor Sensor - A 3 meter remote floor sensor is provided, this can be extended up to 20 meters.

Blue Back-Light - Activated by any key press, this feature enables easy programming of the thermostat.

Memory Backup - Keep your data on power failure with our thermostat "flash memory".

heatmiser PRT-E

The Heatmiser PRT-E has been designed specifically with electric underfloor heating in mind. This combination model has two operating modes which can be selected via software by the installer.

Mode 0 is designed to work with a remote floor sensor probe, and controls only floor temperature. 4 different comfort levels can be programmed in this mode which can be set according to the occupancy of the building. The floor sensor can be extended up to 20 meters from the thermostat.

Mode 1 is designed to work with a remote floor sensor and either the built in air sensor or the remote air sensor. In this mode, the thermostat will maintain the desired air temperature and will use the floor sensor to prevent the floor from overheating.

- 10A switching

Remote air sensor probe is an optional extra.



Available in 3 plastic finishes:



Silver

White

Brass



12v Network Thermostats

Our 12v Network range of thermostats have been designed to work as part of a network system, and can be used in conjunction with the Network Products and PC Connection program (PCLink).

PCLink Compatible - Control your heating from your PC with PCLink.

Heatmiser TouchPad - The TouchPad is our master keypad offering the facility of operating up to 32 low voltage thermostats from one central point.

TR1 Compatible - Have complete control over your heating system even whilst you are away! With the TR1 you can remotely control the low voltage thermostats in your home.

UH1 Compatible - The UH1 is our central wiring switch box for the low voltage thermostats, providing outputs for the boiler, pump and zone valves.

Keypad Lock - Locking facility to prevent tampering of the programmed settings.

heatmiser DT-N

The Heatmiser DT-N is our low voltage, digital room thermostat, ideal for conventional or combi boiler systems.

- 3A volt free switching
- 05-35°C temperature range

heatmiser PRT-N

The Heatmiser PRT-N is our low voltage, 5/2 day programmable room thermostat. The PRT-N is a digital thermostat and programmer in one. Providing up to 4 different temperatures at different times of the day.

- 3A volt free switching
- 05-35°C temperature range

heatmiser PRT/HW-N

The Heatmiser PRT/HW-N is our low voltage, 5/2 day programmable thermostat with an additional 5/2 day program for a domestic hot water cylinder. Reduced costs and wiring means the PRTHW-N really is an all-in-one solution.

- 3A volt free switching
- 05-35°C temperature range

heatmiser HC-N

The Heatmiser HC-N is our network fan coil thermostat offering three modes of operation. These modes are heating, cooling and automatic heating and cooling with an adjustable dead-band. For more information on this product see page 10.

- 3A volt free switching
- 05-35°C temperature range

Please Note: The HC-N is not currently compatible with PCLink / Netmonitor.

heatmiser PRT-EN

The Heatmiser PRT-EN is our low voltage underfloor heating thermostat. It provides two modes of operation which can be selected in software by the installer. Mode 0 is designed to work with a remote floor sensor and controls only floor temperature. In Mode 1, the thermostat will maintain the desired air temperature and will use the floor sensor to prevent the floor from overheating.

- 3A volt free switching
- 05-35°C temperature range



Available in 3 plastic finishes:



Silver



White



Brass



Network Products

These products are designed to work with our 12v Network Thermostats giving you superior control of your heating system. Have central control of your home thermostats with the use of our Colour TouchPad or remote control whilst away with our TR1.

Central/Remote Control - These products offer you a number of methods of controlling your 12v thermostats remotely or centrally.

Security coding - Prevents unauthorised access to your heating system.

Easy to use - All of these products have been designed with ease of use in mind.

heatmiser Touch Pad

The Heatmiser TouchPad, featuring a colour touch screen, gives central control of up to 32 low voltage thermostats. You are able to give each thermostat a name allowing you to easily identify each thermostat on the network. Remotely program the comfort levels of all networked thermostats from one central point and copy program settings from one thermostat to another across the network.



- Display Colour Touch Screen (58 x 77 mm)
- Max Zones 32 zones
- Title Give each zone a unique name
- Temperature Hold Use this function to hold a desired temperature for a fixed period. Ideal for unexpected activities
- Holiday Use the holiday function to put the heating in to frost mode whilst you are away
- Hw boost facility Use the HW boost to quickly override the hot water timed settings
- Quick View See at a glance the current thermostat status throughout your building
- Auto time sync Synchronises all of the thermostat clocks on the network
- Auto GMT Automatically corrects the time for Summer/ Winter time
- History View the Hours Run for the past 4 weeks or the temperature graph for the previous 24 hours
- Master Timeclock Select which thermostats you want to work from the built in timeclock
- Key Lock Lock each thermostat to prevent unauthorised tampering of the thermostat setting
- Password Protect When enabled, the user must enter a pass code in order to program the network thermostats
- °C °F Choose between °C and °F mode
- Frost Setting Program the frost temperature for each thermostat
- Floor limit Program the floor limit for underfloor heating models

heatmiser TR1

The Heatmiser TR1 is our telephone Remote System, allowing the user to control up to 16 thermostats remotely via a landline or mobile phone.

The TR1 lets you remotely switch on or off individual thermostats or adjust the temperature set-point. In addition, up to 5 alarm signals can be wired into the TR1 and when triggered, will send an alarm message to the user changeable phone number.



NetMonitor

The Heatmiser Netmonitor is a self contained unit allowing you to control your heating over the internet from any web browser. Simply plug the Netmonitor in to your router and take complete control!

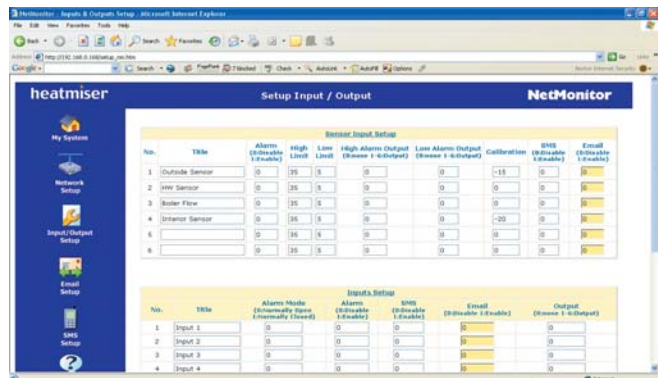
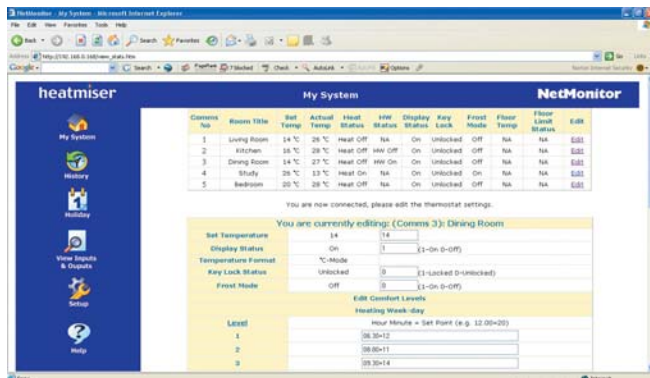
NetMonitor Features

- Program up to 32 Heatmiser thermostats from any Internet Browser worldwide.
- Connect up to 6 remote temperature sensors to be used for monitoring and alarm purposes.

- Program low and high temperature limits.
- Connect up to 6 volt free alarms such as your home alarm and receive alarm indications on email.
- Control up to 6 appliances remotely via web browser.

Notes:

1. A fixed IP address or a router with Dynamic DNS facility is required to control your heating over the internet.



Visit www.heatmiser.netmonitor.co.uk and connect to the Heatmiser Netmonitor located in our office - and see **how easy it is** to adjust your heating over the internet.



NetMonitor+

The Heatmiser NetMonitor+ offer the same functionality as the standard Heatmiser NetMonitor but also offers SMS facility. Take control of your heating via text message and receive alarm indications on your mobile.

Netmonitor+ Features

- Program up to 32 Heatmiser thermostats from any Internet Browser worldwide.
- Connect up to 6 remote temperature sensors to be used for monitoring and alarm purposes.
- Program low and high temperature limits.

- Connect up to 6 volt free alarms such as your home alarm and receive alarm indications on email or text message.
- Set the desired temperature by Text message.
- Control up to 6 appliances remotely via web browser or Text message.
- Alarms can be sent by Email and Text Message.

Notes:

1. A fixed IP address or a router with Dynamic DNS facility is required to control your heating over the internet.
2. You will need to purchase a SIM Card to use the GSM functions. We suggest you use a Pay as you Go type SIM.

Heating
Take control of your heating or hot water over the internet or by text message.

Security
Receive an email and text message when your home alarm is triggered.

Temperature Alarm
Connect a temperature sensor to the Netmonitor and receive an alarm by email or text message when this temperature drops below a programmed limit.

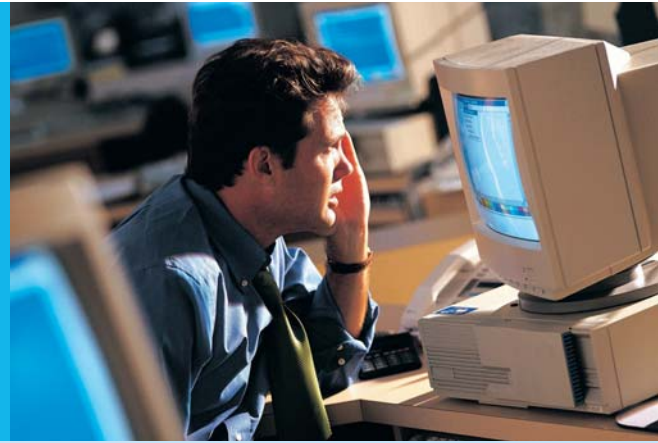
Interior Lighting
Turn on or off your interior lighting whilst you are away by text message or over the internet.

Outdoor Lighting
Turn on or off your outdoor lighting either over the internet or by mobile phone.

Close your Blinds/Curtains
Increase the security of your home and close your curtains whilst you are away.

Visit www.heatmiser.netmonitor.co.uk and connect to the Heatmiser Netmonitor located in our office - and see **how easy it is** to adjust your heating over the internet.

PCLink Features



PCLink is our Windows based program allowing you to take control of your heating thermostats from your PC. Easily view and amend your thermostat settings for your entire heating system.

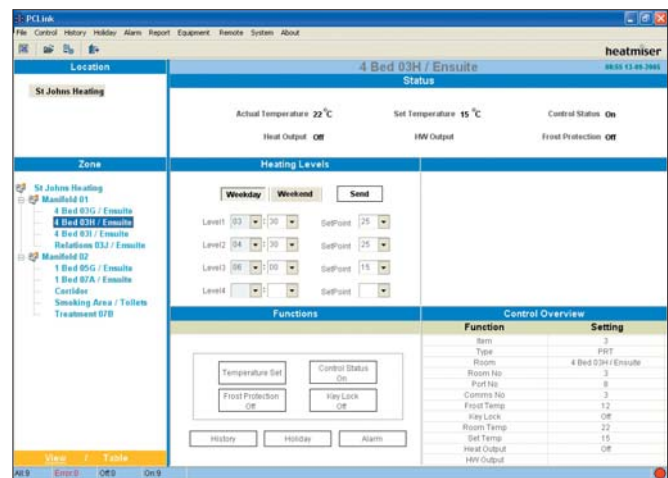
Temperature View - See at a glance the actual and set temperature for each thermostat throughout your building.

Program Comfort Levels - Program the comfort levels for each thermostat on the network.

Override feature - Quickly override the set temperature for any thermostat.

Keylock - Lock the keypad remotely to prevent unauthorised alteration of the thermostat settings.

Holiday - Program a holiday period for all or selected thermostats (switches the thermostats into frost mode during this period).



View a specific thermostat in detail, with the ability to amend settings easily.

Versions

PCLink Lite - A maximum of 30 thermostats can be controlled from PCLink Lite.

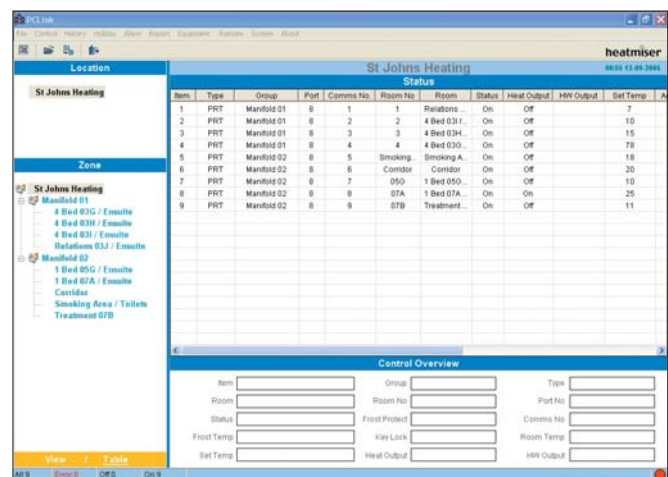
PCLink Full - Allows for connection of up to 900 thermostats.

Connection Methods

Direct USB Connection - Allowing you to connect up to 32 12v thermostats to your PC's USB port.

Dial-Up Connection - Allowing you to remotely control up to 32 low voltage thermostats via a BT landline.

Ethernet - Allowing you to control an unlimited number of low voltage thermostats either via a local area network or over the internet.

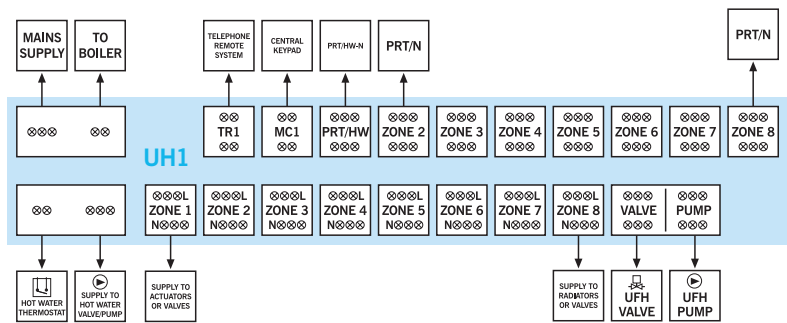


View at a glance the status of all thermostats on your system.



Central Wiring Switch Boxes

Our central wiring switch boxes have been designed to simplify the wiring process. By using the UH1 or UH2 in your application means that the actuator, boiler and pump connections are wired from a single point.



heatmiser UH1

The Heatmiser UH1 can be used in conjunction with our 12v network thermostats as shown in the layout opposite. The UH1 provides central switching and is ideally situated next to the manifold. Up to 8 230v actuators can be controlled as well as providing an output for a hot water cylinder and the system boiler and pump. The UH1 provides connections for our central

keypad or PC when used as part of a network system.

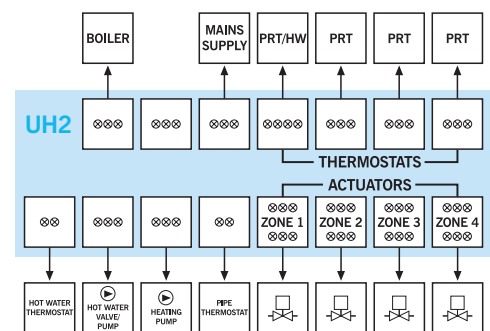
The UH1 is also ideally suited for underfloor heating. When used for underfloor heating an option is available to use zone 8 for conventional radiator control.



heatmiser UH2

The UH2 can be used in conjunction with our Mains Thermostats. The UH2 provides central switching of up to 4 zone actuators as well as providing an output for a hot water cylinder and the system boiler and pump.

The UH2 is also ideally suited for underfloor heating. When used for underfloor heating an option is available to use zone 4 for conventional radiator control.





Fan Coil Thermostats

The Heatmiser HC is our fan coil thermostat offering three modes of operation ideal for 2 and 4 pipe heating and cooling systems. It provides a three speed fan output which can be set to manual or automatic mode.

Fan Speed Control - Auto, high, medium and low fan speed is available on this thermostat.

Slimline Design - Heatmiser thermostats are designed to be neat and tidy. Their flush mount design means the depth is only 13mm after installation.

Remote Control Option - This model is compatible with our RM2 remote control.

Blue Back-Light - Activated by any key press, this feature enables easy programming of the thermostat.

Mains Powered - Greater convenience, no batteries required.

Override Facility - Quickly & easily adjust your programmed settings.

heatmiser HC

Heating

In heating mode, you are able to set 4 switching times for the weekday and 4 different for the weekend and two temperature settings (Day, Night).

During a switching time, the day temperature will be maintained, switching the fan between low, medium and high depending on the actual temperature when set in automatic mode. Outside the programmed times, the night temperature will be maintained.

Cooling

In cooling mode, 4 switching times per day can be set along with a cooling set point. The cooling output will be active when the actual temperature rises above the set point. With the fan in automatic mode, the HC will switch between low, medium and high, 1°C, 2°C or 3°C above the set point.

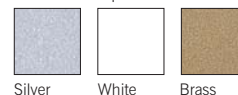
Automatic

In automatic mode, 4 switching times per day can be set along with a Day and Night heating and a single cooling set point. In addition, a dead band setting is programmed ensuring there is no conflict between heating and cooling. During the switching time, the heating set temperature will be maintained switching the fan between low, medium and high. Should the room temperature rise above the cooling set point, the cooling output will be active along with the fan, which is switched between low, medium and high when set to automatic mode.

- 3A, 230v switching
- 05-35°C temperature range



Available in 3 plastic finishes:



Accessories



Our range of accessories are designed to compliment the other products featured in this brochure.



heatmiser TM1

The Heatmiser TM1 has been designed to match our family of thermostats, with the same blue back light, modern stylish design and easy to use buttons. The Heatmiser TM1 Time-Clock offers three modes in-one, selectable by the installer. **Mode 1** is Countdown Timer, **Mode 2** is 5/2 Day Time Clock & **Mode 3** is 7 Day Time Clock.

Countdown Timer: In this mode, the user can select the number of hours required by using the Up/Down key. At the end of this time, the output is disabled. The installer can program a maximum countdown time to restrict excess use..

5/2 Day Time Clock: In this mode, the user can program 4 switching times for the week and 4 different switching times for the weekend.

7 Day Time Clock: In this mode, the user can program 4 switching times for each day of the week.

A 12v version of the TM1 is available (Heatmiser TM1-N). This is our network-able time-clock compatible with our Heatmiser TouchPad.

- Back-light LCD
- Timer override
- Volt free switching, Max 3A
- 230v powered

heatmiser PS1 - Power Supply Unit

The Heatmiser PS1 is our 12v power supply designed to power our low voltage thermostats.

Up to 16 thermostats can be powered by the PS1.



heatmiser RM1

The Heatmiser RM1 gives the user remote control of the temperature set-point and on the PRT/HW model can be used to override the hot-water output.

Compatible with DT, PRT/HW and all N versions.

- Temperature limit: 18-35°C
- Range: IR line of sight

